



Instruction and Installation manuals

Fitting board

FIT

For both wall and floor fixing

For safety, please be sure read this book carefully in detail.
You are responsible for the safe operation of this product.

IMPORTANT

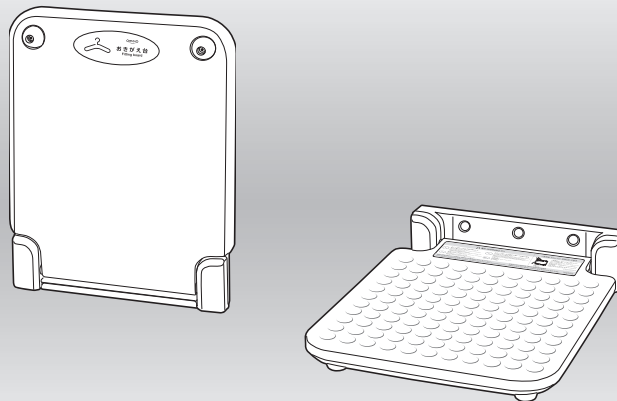
- This product must be properly installed according to the manufacture's instructions.
- Please note that we will NOT be liable in the event an accident occurs due to improper use.
- Retain for future reference.

⚠ WARNING

- ⚠WARNING : DO NOT stand on the fitting board until the board is opened completely and placed on the floor.
- ⚠WARNING : DO NOT jump or make strenuous movement on the fitting board.
- ⚠WARNING : DO NOT use broken or damaged products.
- ⚠WARNING : DO NOT use for any purpose other than changing clothes.
- ⚠WARNING : DO NOT modify the product.
- ⚠WARNING : Carry out daily inspections to use the product safely.
- ⚠WARNING : Flammable-Keep Fire Away

PRODUCT

This product is changing board installed in restroom of facilities etc.



SPECIFICATION

- Can change clothes hygienically by removing footwear.
- Compact design with a thickness of 64 mm when stored.
- Labelled usege instructions and safety massages in four languages.
- Product have mounting hardware included.
- Product manufactured in JAPAN.

PRODUCT SIZE

Fitting board FIT

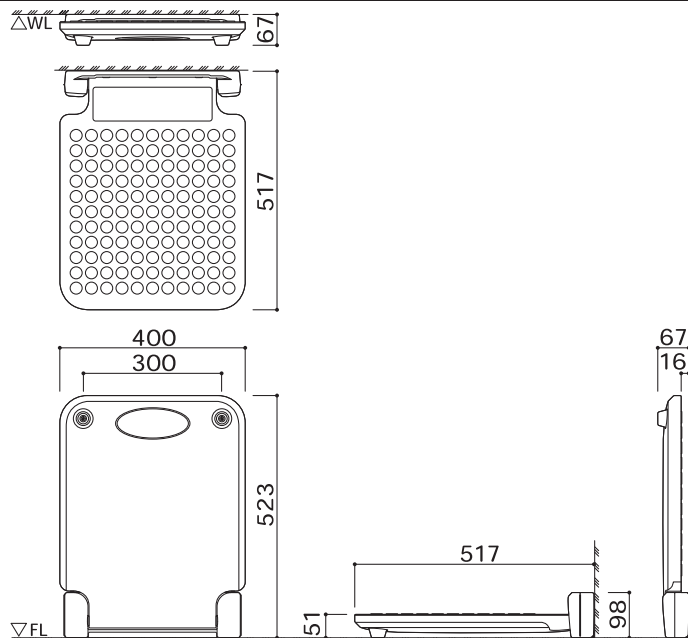
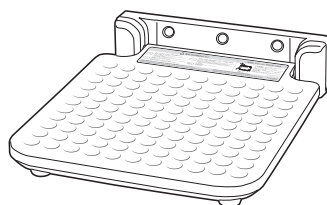
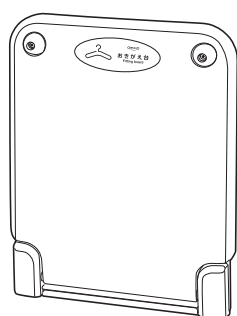
Load capacity: 100 kg

Item number: TS-FIT

Size: W400 x D67 x H523 mm when storage

W400 x D517 x H98 mm when use

Material: Polypropylene



MAINTENANCE

Cleaning method

Normal cleaning method

- ① Soak a soft cloth with clean water or lukewarm water, and then wring out thoroughly before wiping.
- ② Wipe away any moisture thoroughly with a dry cloth.

Cleaning method for when the product is very dirty

- ① Wipe with a cloth soaked lightly with a mild detergent.
- ② Soak a soft cloth with clean water or lukewarm water, and then wring out thoroughly before wiping away any detergent.
- ③ Wipe away any moisture thoroughly with a dry cloth.

Caution : DO NOT use the following items that may damage the surface of the product.

- Cleanser, detergent containing particles such as polishing powders.
- Acidic detergent, alkaline detergent, chlorine bleach.
- Nylon scrubbing brush, brush, etc.
- Solvents such as thinner and benzene.

INSPECTION CRITERIA

- There shall be no damage to the product.
- Opening and closing operations shall be smooth with no rattling.
- There shall be no looseness or removal of screws.
- The labels shall not be torn or faded, and the contents readable.

If there are any abnormalities

- 1 • Discontinue use immediately and contact your dealer.

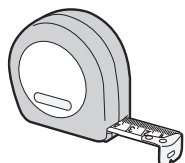
SAFETY NOTES

- For safety, make sure to read this **Installation Manual** carefully and install the product correctly.
- We recommend that a professional installer set up the fitting board so that it is set up securely.
- Be sure to install the fitting board on the wall surface.
- We are NOT liable for any accidents and/or damage that may occur if the Fitting board is NOT set up correctly.
- Correctly fix the SMARTPLUG securely to the concrete layer.

TOOLS NEEDED



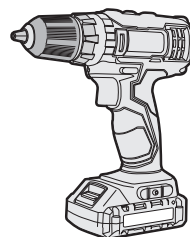
gloves



measuring tape



stud finder



drill



6.0 mm drill bit



pencil



phillips head screwdriver

PACKING LIST

Product have mounting hardware included.



body



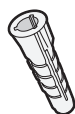
Instruction and Installation manuals (This book)



pictures, signs, and label



four flat head tapping screws



four SMARTPLUGS



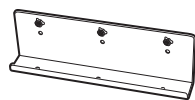
three screw head covers



three rosette washers



three countersunkscrews



bracket

Step 0-Packing confirmation

- ✓ Remove products from the shipping container and check for any freight damage.
- ✓ Please check if you have all the hardware.

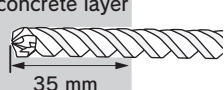
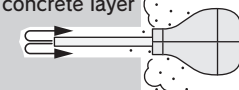
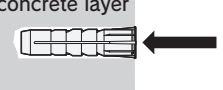
Installation manual

Installing method for Fitting board FIT

Step 1-Insert the SMARTPLUG into the wall surface

Installing method for SMARTPLUG

- Make marks on the wall surface (3places) for inserting the SMARTPLUG.

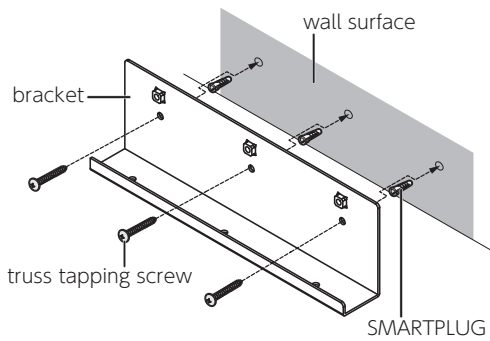
Installing method for SMARTPLUG 	1 Perforate hole with wall <ul style="list-style-type: none"> • hole diameter : 6.0 mm ϕ • drilling depth : 35 mm • use 6.0 mm drill bit 	2 Clearing 	3 Insert 
--	---	--	--

 three SMARTPLUGS concrete only

NOTE : There are two installing methods of the bracket.

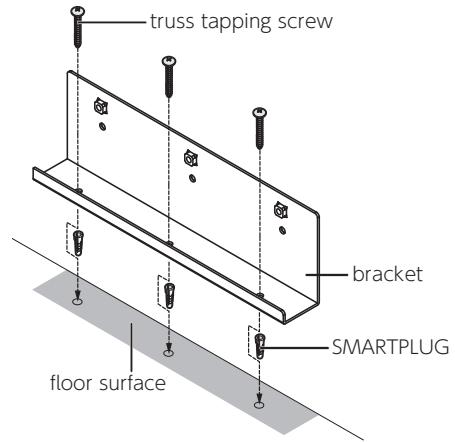
[Installing method to the wall]

- ① Make marks on the wall surface (3places).
- ② place the bracket against the wall surface, and then fix with truss tapping screw.



[Installing method to the floor]




- ① Make marks on the floor surface (3places).
- ② place the bracket against the floor surface, and then fix with truss tapping screw.

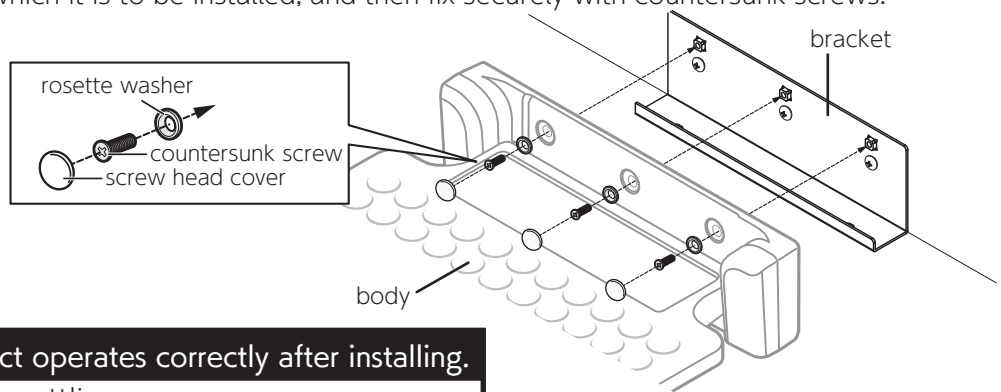


NOTE   If the wall and floor foundations are wood or LGS, DO NOT use SMARTPLUG.

Step 2-Mount the body

Place the body against the bracket to which it is to be installed, and then fix securely with countersunk screws.

-  three screw head covers
-  three countersunk screws
-  three rosette washers



! Make sure to check the product operates correctly after installing.

- ✓ Check for any strange noises or rattling.
- ✓ Check whether opening and closing can be done smoothly.

Step 3-Installation complete

- Install the product, and then attach pictures, signs, and label to places that are easily visible such as the restroom or entrance of the facility.
- Give this book to the manager of the facility.

