



Instruction and Installation manuals

Baby's chair

H1

Openable type



Instruction and Installation manuals

Baby's chair

H1

Openable type

**For safety, please be sure read this book carefully in detail.
You are responsible for the safe operation of this product.**

IMPORTANT

- This product must be properly installed according to the manufacture's instructions.
- Please note that we will NOT be liable in the event an accident occurs due to improper use.
- Retain for future reference.

⚠ WARNING

- ⚠WARNING : DO NOT use for any child other than 5-24 months old.
- ⚠WARNING : The maximum recommended total weight for this baby's chair is 30 kg.
- ⚠WARNING : Keep an eye on your baby.
- ⚠WARNING : Pay attention to the risk of falling.
- ⚠WARNING : DO NOT leave your baby alone while using the baby's chair.
- ⚠WARNING : DO NOT let your baby stand on the baby's chair.
- ⚠WARNING : DO NOT use for any purpose other than baby's chair.
- ⚠WARNING : DO NOT modify the product.
- ⚠WARNING : DO NOT use broken or damaged products.
- ⚠WARNING : Carry out daily inspections to use the product safely.
- ⚠WARNING : Flammable-Keep Fire Away

PRODUCT

This product is baby's chair installed in restroom of facilities etc.

H1: Openable type with steel frame type
H1-SUS: Openable type with stainless steel frame type

H1 / H1-SUS



Instruction manual

SPECIFICATION

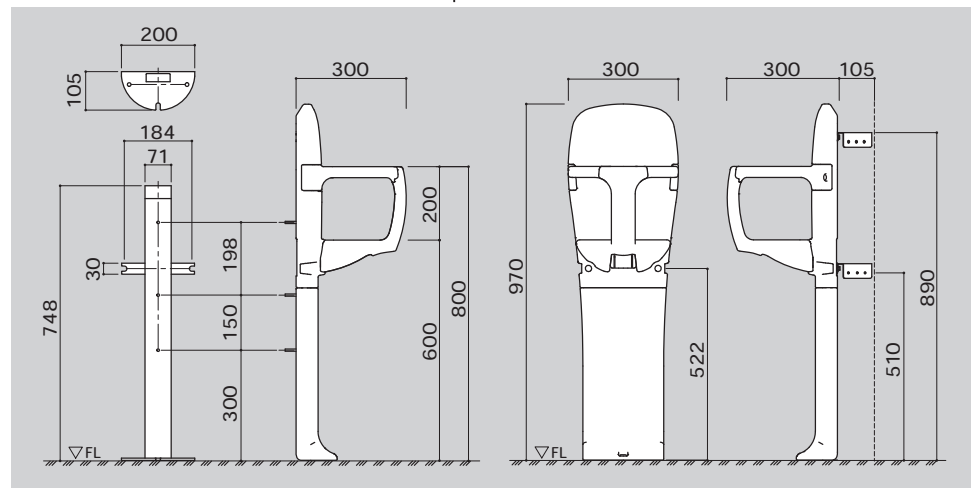
- Labelled usege instructions and safety massaeges in four languages.
- Product have mounting hardware included.
- Product manufactured in JAPAN.

PRODUCT SIZE

Baby's chair H1 / H1-SUS

User's age: For babies 5–24 months old.
Load capacity: 30 kg
Item number: TS-H1 / TS-H1-SUS
Size: W300 x D300 x H970 mm

Material: Polypropylene · Steel
Stainless: TS-H1-SUS frame stand only



MAINTENANCE

Cleaning method

Normal cleaning method

- ① Soak a soft cloth with clean water or lukewarm water, and then wring out thoroughly before wiping.
- ② Wipe away any moisture thoroughly with a dry cloth.

Cleaning method for when the product is very dirty

- ① Wipe with a cloth soaked lightly with a mild detergent.
- ② Soak a soft cloth with clean water or lukewarm water, and then wring out thoroughly before wiping away any detergent.
- ③ Wipe away any moisture thoroughly with a dry cloth.

Caution : DO NOT use the following items that may damage the surface of the product.

- Cleanser, detergent containing particles such as polishing powders.
- Acidic detergent, alkaline detergent, chlorine bleach.
- Nylon scrubbing brush, brush, etc.
- Solvents such as thinner and benzene.

INSPECTION CRITERIA

- There shall be no damage to the product.
- There shall be no looseness or removal of screws.
- The labels shall not be torn or faded, and the contents readable.

If there are any abnormalities

- 1 • Discontinue use immediately and contact your dealer.

SAFETY NOTES

- For safety, make sure to read this **Installation Manual** carefully and install the product correctly.
- We recommend that a professional installer set up the baby's chair so that it is set up securely.
- We are NOT liable for any accidents and/or damage that may occur if the baby's chair is NOT set up correctly.
- Correctly fix the SMARTPLUG securely to the concrete layer.

INSTALLATION SPACE

- Take into consideration the space required for using the product before installing.

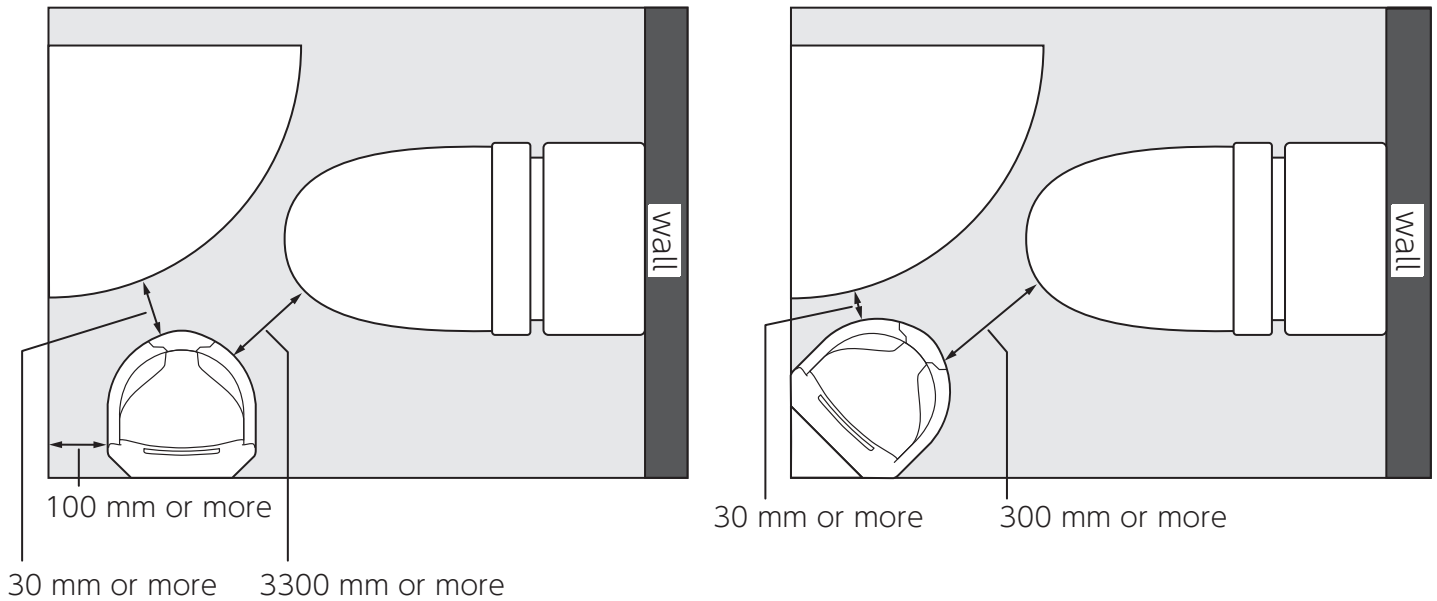
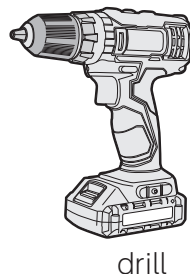
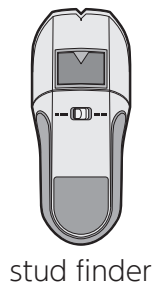


TABLE OF CONTENTS

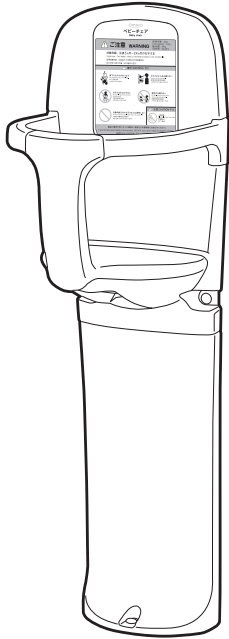
Packing list	-----	P. 3
Installation to the flat wall	-----	PP. 4-6
Installation to the corner wall	-----	PP. 7-10

TOOLS NEEDED



PACKING LIST

Product have mounting hardware included.



body



Instruction and Installation manuals (This book)



warning label A



warning label B



pictures, signs, and label



two short countersunk screws



three screw head covers



three rosette washers



three flat head tapping screws



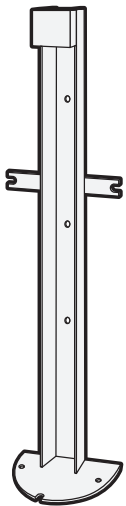
six truss tapping screws



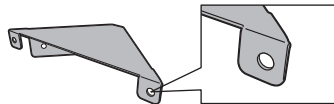
eight SMARTPLUGS



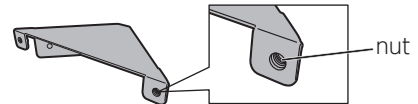
two hexagon upset head bolts



frame stand



upper corner plate



lower corner plate with nuts

Step 0-Packing confirmation

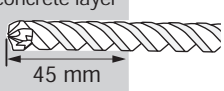
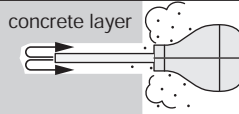
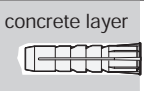
- ✓ Remove products from the shipping container and check for any freight damage.
- ✓ Please check if you have all the hardware.

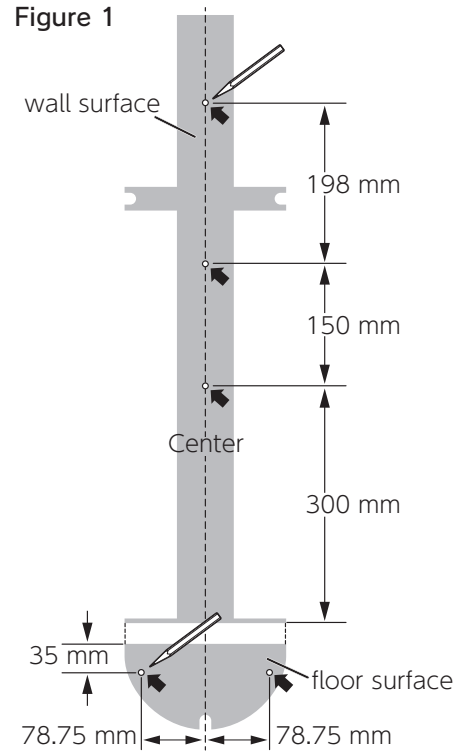
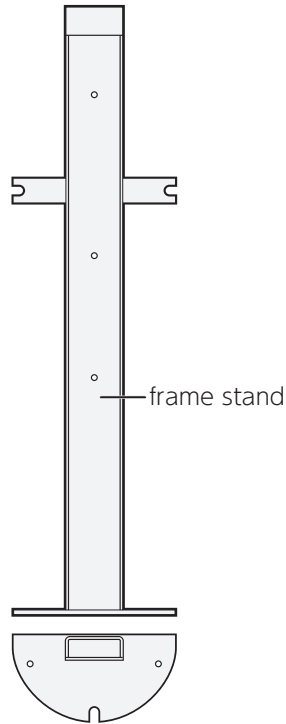
Installation to the flat wall

Step 1-Set up the frame stand

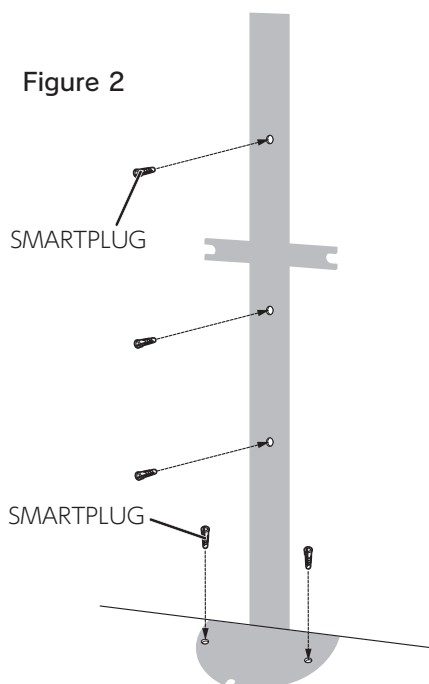
Installing method for SMARTPLUG

- Make marks on the wall surface (3 places) and the floor (2 places) for inserting SMARTPLUG. **Figure 1**

Installing method for SMARTPLUG		1 Perforate hole with wall.	2 Cleaning	3 Insert
concrete layer 	<ul style="list-style-type: none"> • hole diameter : 8.0 mm ϕ • drilling depth : 45 mm • use 8.0 mm drill bit 		Remove concrete powder in hole with dust pump.	concrete layer  SMARTPLUG insert to hole.



- Install SMARTPLUG into the marked area. **Figure 2**




NOTE   If the wall and floor foundations are wood or LGS, DO NOT use SMARTPLUG.

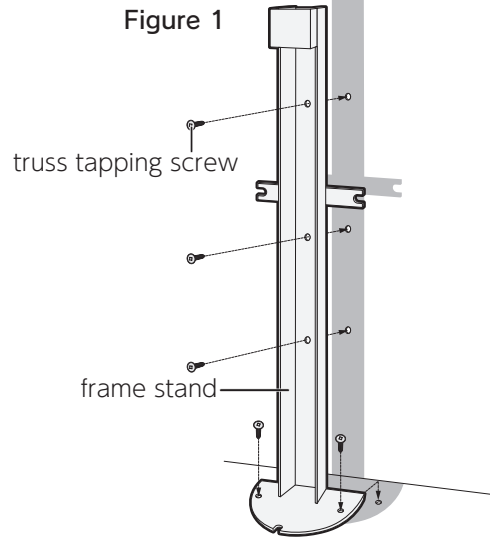
Installation manual

Installation to the flat wall

Installing method for the frame stand

- Place the frame stand against the wall surface to which it is to be installed, and then fix the wall surface (3 places) and the floor (2 places) with truss tapping screws. **Figure 1**

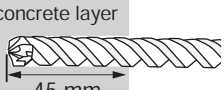
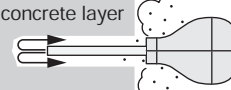
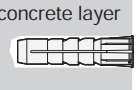
 five truss tapping screws



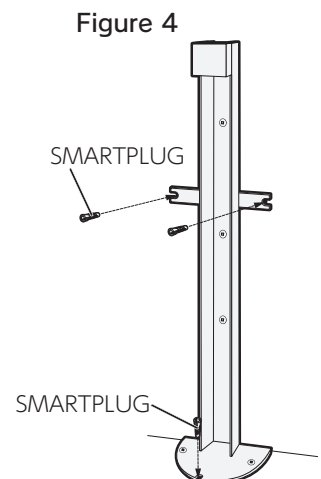
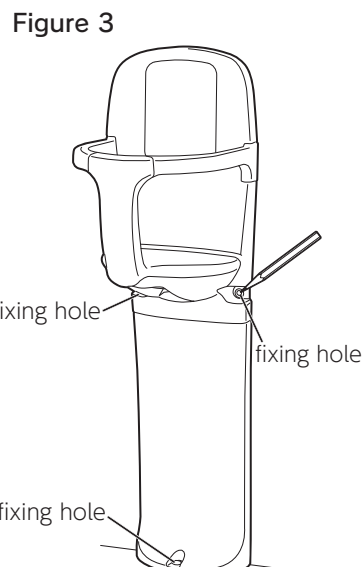
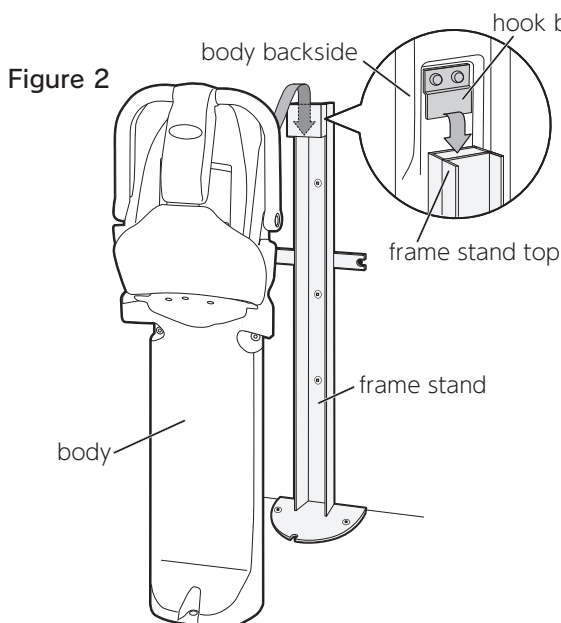
Step 2-Mount the body



Installing method for SMARTPLUG

- Hook the hook bracket of the body backside onto the frame stand top. **Figure 2**
- Make marks on the wall surface (2 places) and the floor (1 place) for inserting the SMARTPLUG into the fixing holes (3 places). **Figure 3**
- Insert the SMARTPLUG into the marked area. **Figure 4**

Installing method for SMARTPLUG		1 Perforate hole with wall.	2 Cleaning	3 Insert	
 <p>concrete layer 45 mm</p>	<ul style="list-style-type: none"> hole diameter : 8.0 mm ϕ dolling depth : 45 mm use 8.0 mm drill bit 	 <p>concrete layer</p>	<p>Remove concrete powder in hole with dust pump.</p>	 <p>concrete layer</p>	<p>SMARTPLUG insert to hole.</p>

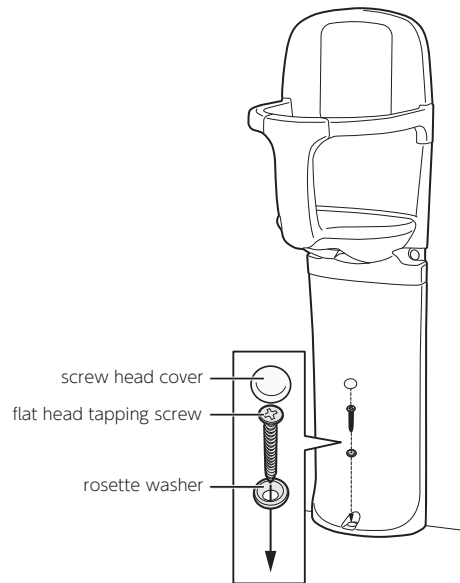
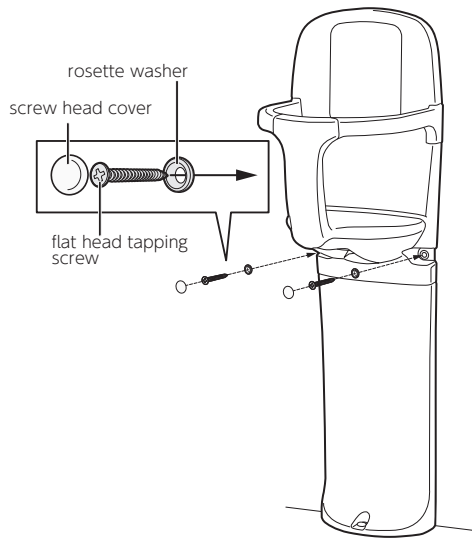
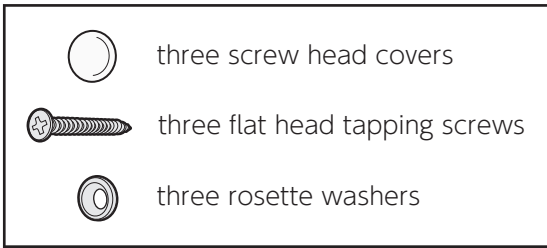
 three SMARTPLUGS **concrete only**



NOTE   If the wall and floor foundations are wood or LGS, DO NOT use SMARTPLUG.

Installation to the flat wall

- Mount the body to the frame stand again, and then fix it with flat head tapping screws(3 places).



! Make sure to check the product operates correctly after installing.
✓ Check for any strange noises or rattling.

Step 3-Installation complete

- Attach warning label near the product. **Figure 5**
- Install the product, and then attach pictures, signs, and label to places that are easily visible such as the restroom or entrance of the facility. **Figure 6**
- Give this book to the manager of the facility.

Figure 5

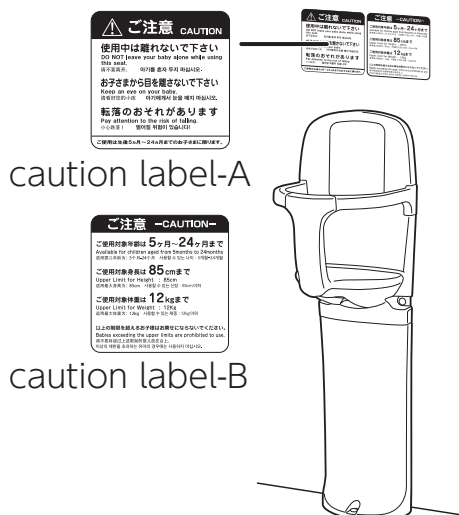


Figure 6



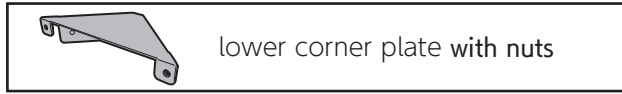
Installation manual

Installation to the corner wall

Step 1-Fix the lower corner plate with nuts to the corner wall

Installing method for SMARTPLUG

- Place the lower corner plate with nuts against the wall surface, and then marks 4 places. **Figure 1**
- Install SMARTPLUG into the marked area. **Figure 2**



Installing method for SMARTPLUG		1 Perforate hole with wall.	2 Cleaning	3 Insert
<p>concrete layer</p> <p>45 mm</p>	<ul style="list-style-type: none"> • hole diameter : 8.0 mm ϕ • dolling depth : 45 mm • use 8.0 mm drill bit 	<p>concrete layer</p>	<p>Remove concrete powder in hole with dust pump.</p>	<p>concrete layer</p> <p>SMARTPLUG insert to hole.</p>

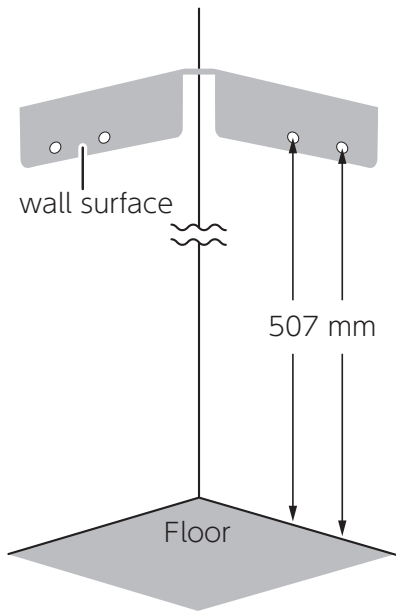


Figure 1

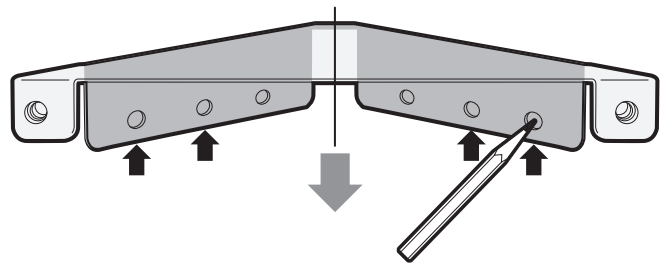
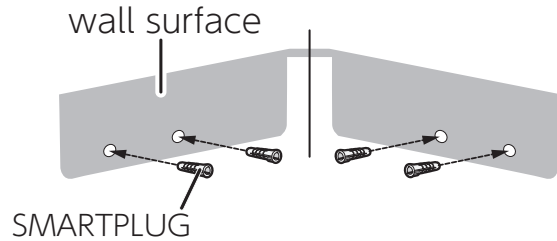


Figure 2



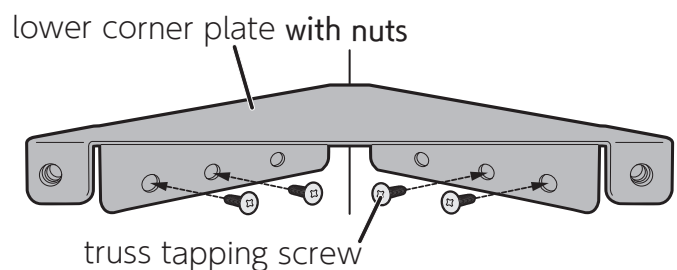
NOTE If the wall and floor foundations are wood or LGS, DO NOT use SMARTPLUG.

Installing method for the lower corner plate with nuts

- Fix the lower corner plate with nuts securely to the wall surface with truss tapping screws. **Figure 3**



Figure 3

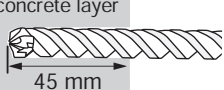
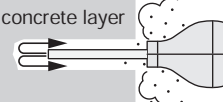
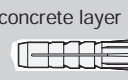


Installation to the corner wall

Step 2-Set up the frame stand

Installing method for SMARTPLUG

- Place the frame stand against the lower corner plate with nuts, and then make marks 3 places. **Figure 4**
- Install SMARTPLUG into the marked area. **Figure 5**

Installing method for SMARTPLUG		1 Perforate hole with wall.	2 Cleaning	3 Insert
 <p>concrete layer 45 mm</p>	<ul style="list-style-type: none"> • hole diameter : 8.0 mm ϕ • drilling depth : 45 mm • use 8.0 mm drill bit 	 <p>concrete layer</p>	<p>Remove concrete powder in hole with dust pump.</p>	 <p>concrete layer</p> <p>SMARTPLUG insert to hole.</p>


 three SMARTPLUGS concreat only

Figure 4

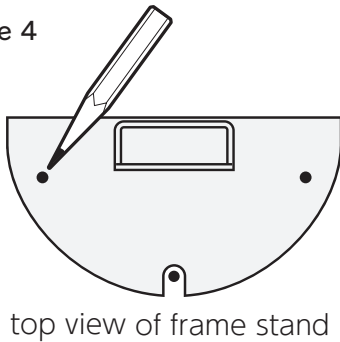
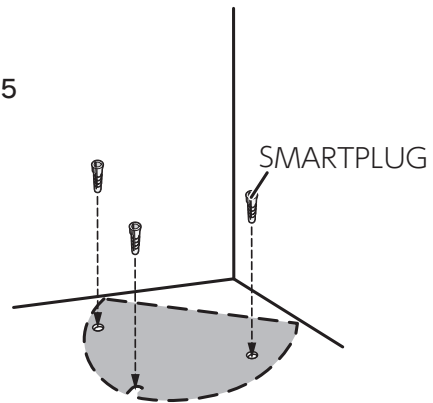




Figure 5



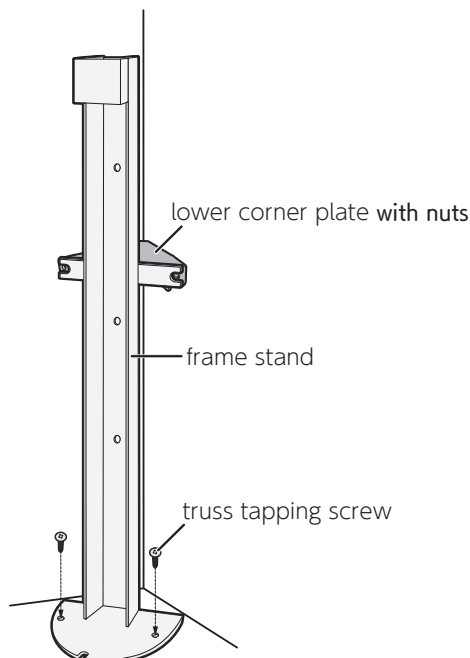
NOTE   If the wall and floor foundations are wood or LGS, DO NOT use SMARTPLUG.

Installing method for the frame stand

- Place the frame stand against the lower corner plate with nuts, and then secure it to the floor with truss tapping screws(2 places). **Figure 6**

 two truss tapping screws

Figure 6

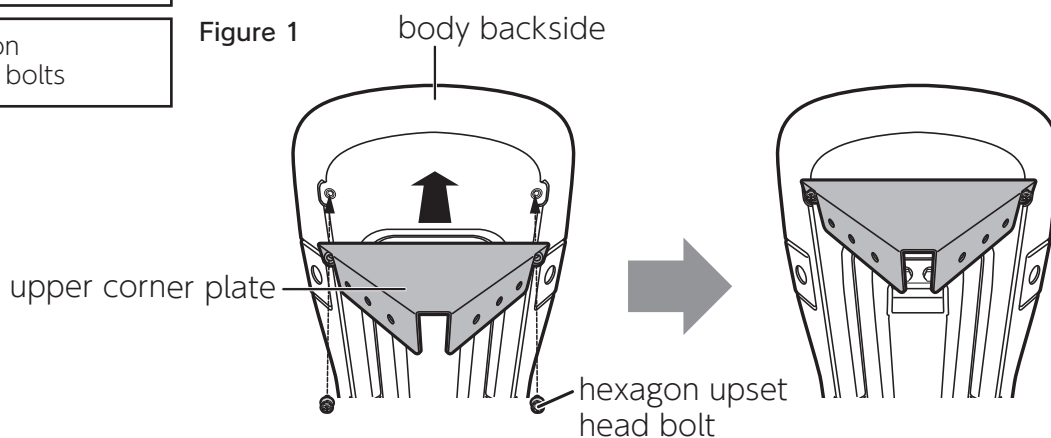
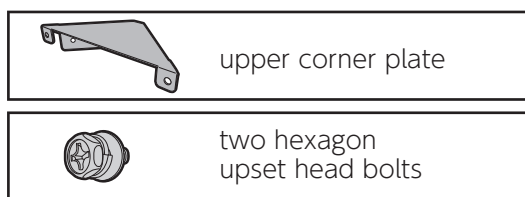


Installation manual

Installation to the corner wall

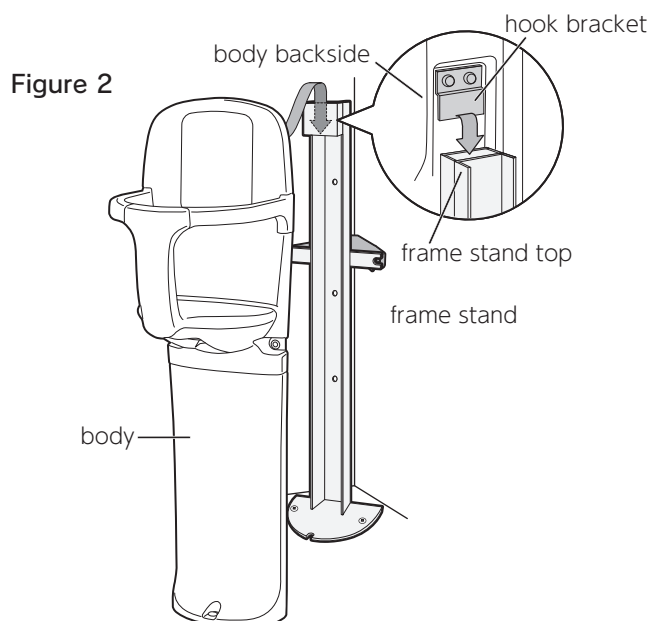
Step 3-Fix the upper corner plate to the body

- Fix the upper corner plate to the body backside with hexagon upset head bolts. **Figure 1**

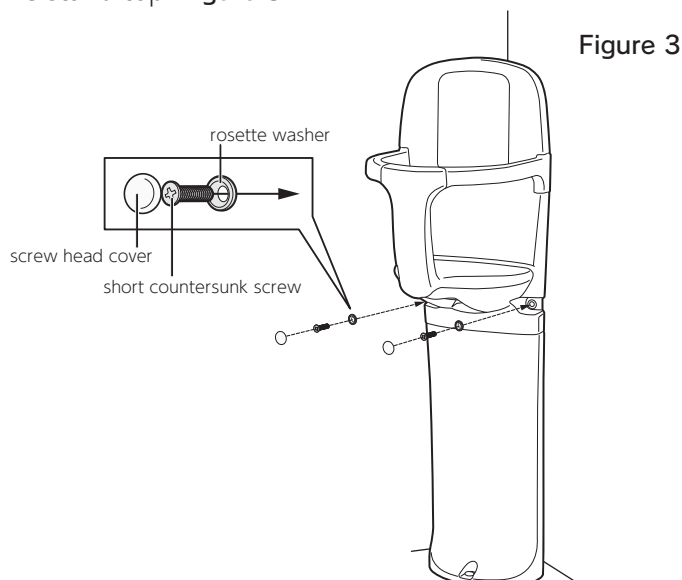
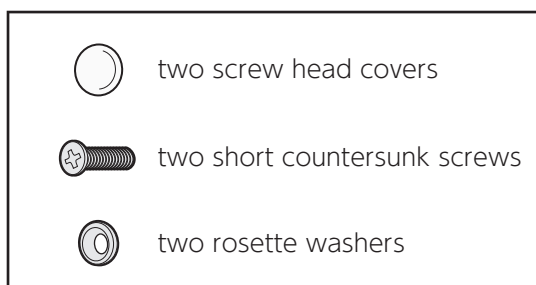


Step 4-Mount the body

- Hook the hook bracket of the body backside onto the frame stand top. **Figure 2**

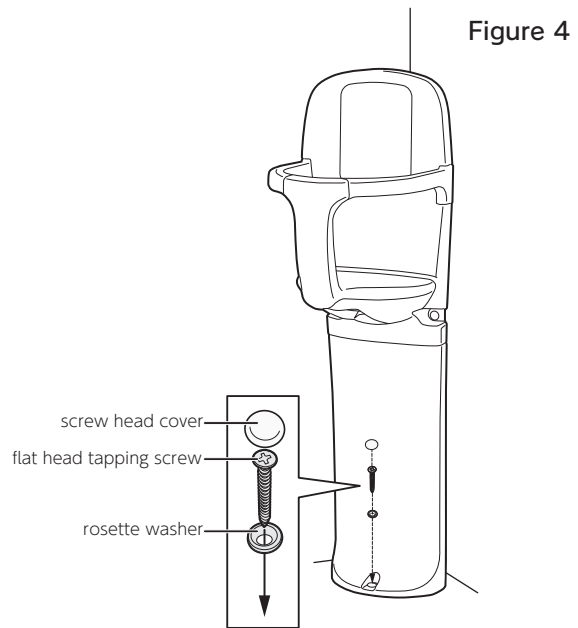
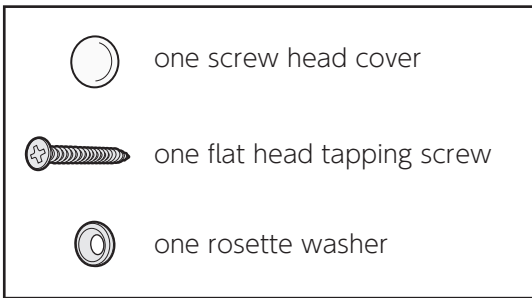


- Hook the hook bracket of the body backside onto the frame stand top. **Figure 3**



Installation to the corner wall

- Fix with flat head tapping screw (1 place). **Figure 4**



! Make sure to check the product operates correctly after installing.

✓ Check for any strange noises or rattling.

Step 5-Installation complete

- Attach warning label near the product. **Figure 5**
- Install the product, and then attach pictures, signs, and label to places that are easily visible such as the restroom or entrance of the facility. **Figure 6**
- Give this book to the manager of the facility.

Figure 5

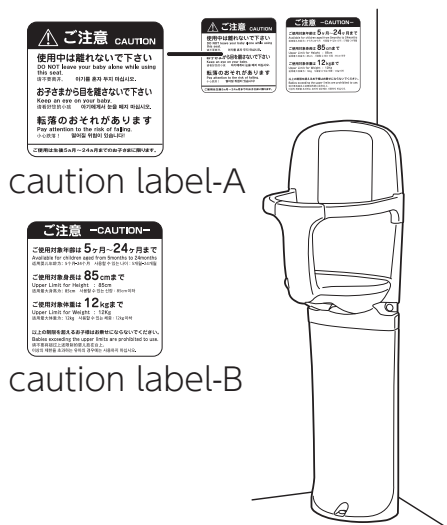


Figure 6

