



# Instruction and Installation manuals

## Baby's diapers changing table

# FA2

## Sideways open type

**For safety, please be sure read this book carefully in detail.  
You are responsible for the safe operation of this product.**

### IMPORTANT

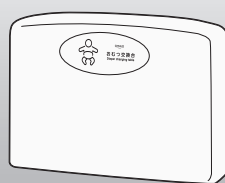
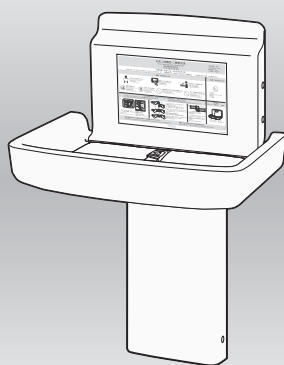
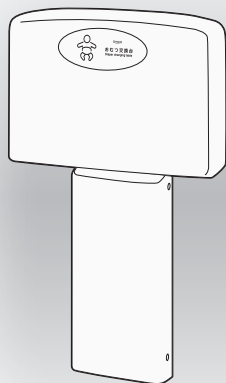
- This product must be properly installed according to the manufacture's instructions.
- Please note that we will NOT be liable in the event an accident occurs due to improper use.
- Retain for future reference.

### ⚠ WARNING

- ⚠WARNING : DO NOT use for any child other than 1-24 months old.
- ⚠WARNING : The maximum recommended total weight for this baby's diapers changing table is 30 kg.
- ⚠WARNING : Keep an eye on your baby.
- ⚠WARNING : Be sure to fasten the attached belt.
- ⚠WARNING : Pay attention to the risk of falling.
- ⚠WARNING : DO NOT leave your baby alone while using the table.
- ⚠WARNING : DO NOT let your baby stand on the baby's diapers changing table.
- ⚠WARNING : DO NOT use for any purpose other than baby's diapers-changing.
- ⚠WARNING : DO NOT modify the product.
- ⚠WARNING : DO NOT use broken or damaged products.
- ⚠WARNING : Carry out daily inspections to use the product safely.
- ⚠WARNING : Flammable-Keep Fire Away

### PRODUCT

**This product is baby's diapers changing table installed in restroom of facilities etc.**



FA2-S: Sideways open type with steel frame stand  
FA2-SUS: Sideways open type with stainless steel frame stand

FA2-W: Sideways open type to wall mounted

### Baby's diapers changing table FA2-S / FA2-SUS

User's age: For babies 1-24 months old.

Load capacity: 30 kg

Item number: TS-FA2-S / TS-FA2-SUS

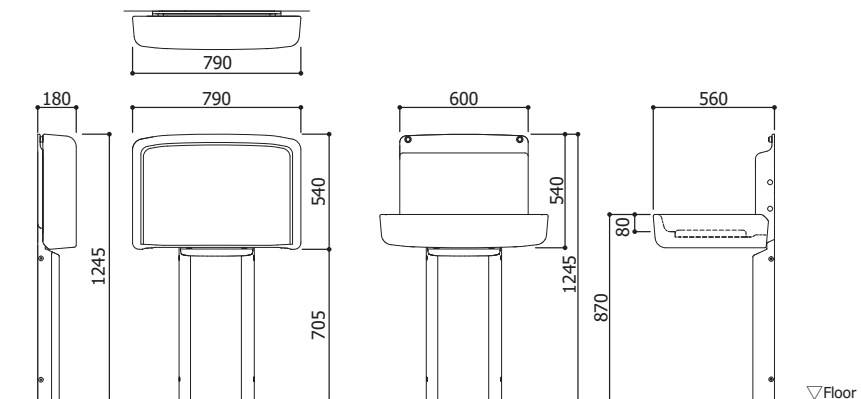
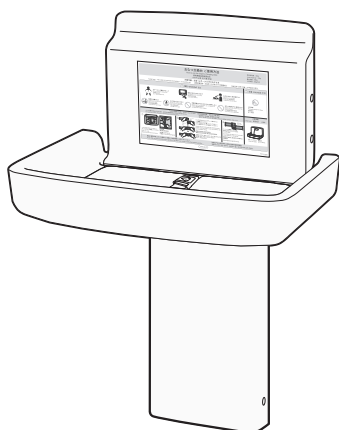
Size: W790 × D180 × H1245 mm when storage

W790 × D560 × H1245 mm when use

Material: Polypropylene · Steel · Tree plywood

Urethane foam · Vinyl leather PVC

Stainless: TS-FA2-SUS frame stand only



### Baby's diapers changing table FA2-W

User's age: For babies 1-24 months old.

Load capacity: 30 kg

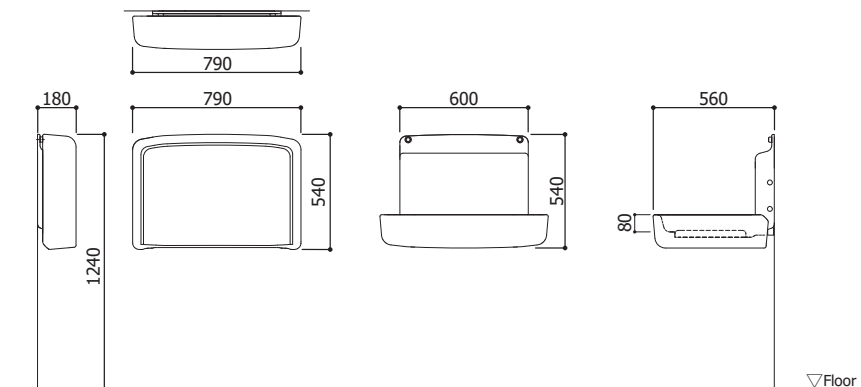
Item number: TS-FA2-W

Size: W790 × D180 × H540 mm when storage

W790 × D560 × H540 mm when use

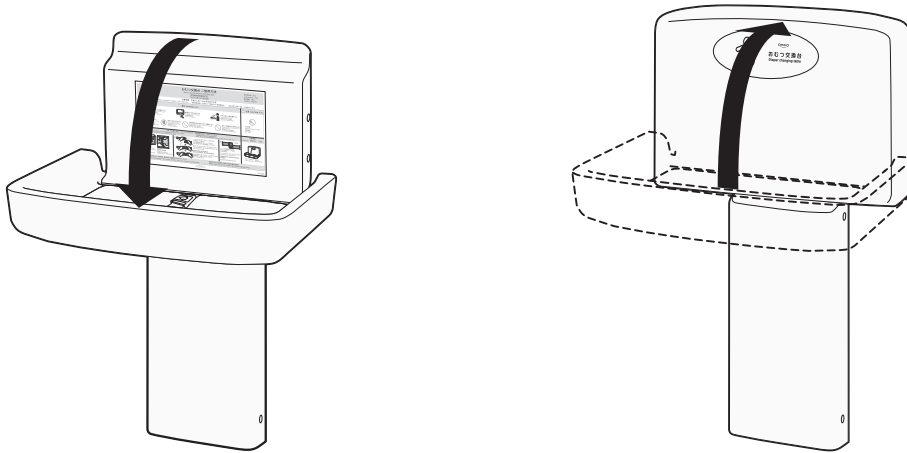
Material: Polypropylene · Steel · Tree plywood

Urethane foam · Vinyl leather PVC



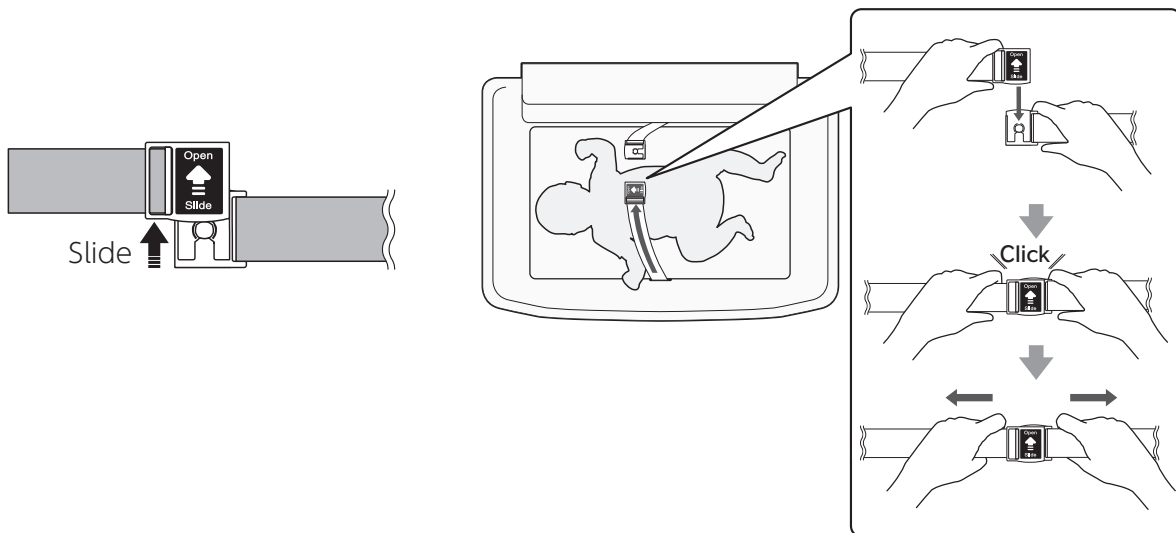
# SPECIFICATION

The built-in gas spring allows smooth opening and closing operations.



Magnet type buckles that can be attached and removed have been used.

**NOTE:** The seat belt is NOT designed to prevent your baby from falling.



Labelled use instructions and safety messages in four languages.



Product have mounting hardware included.

Product manufactured in JAPAN.

### Cleaning method for plastic parts and Vinyl leather PVC

#### Normal cleaning method

- ① Soak a soft cloth with clean water or lukewarm water, and then wring out thoroughly before wiping.
- ② Wipe away any moisture thoroughly with a dry cloth.

#### Cleaning method for when the product is very dirty

- ① Wipe with a cloth soaked lightly with a mild detergent.
- ② Soak a soft cloth with clean water or lukewarm water, and then wring out thoroughly before wiping away any detergent.
- ③ Wipe away any moisture thoroughly with a dry cloth.

### Caution : DO NOT use the following items that may damage the surface of the product.

- Cleanser, detergent containing particles such as polishing powders.
- Acidic detergent, alkaline detergent, chlorine bleach.
- Nylon scrubbing brush, brush, etc.
- Solvents such as thinner and benzine.

## INSPECTION CRITERIA

- There shall be no damage to the product.
- Opening and closing operations shall be smooth with no rattling.
- There shall be no looseness or removal of screws.
- The labels shall not be torn or faded, and the contents readable.

### If there are any abnormalities

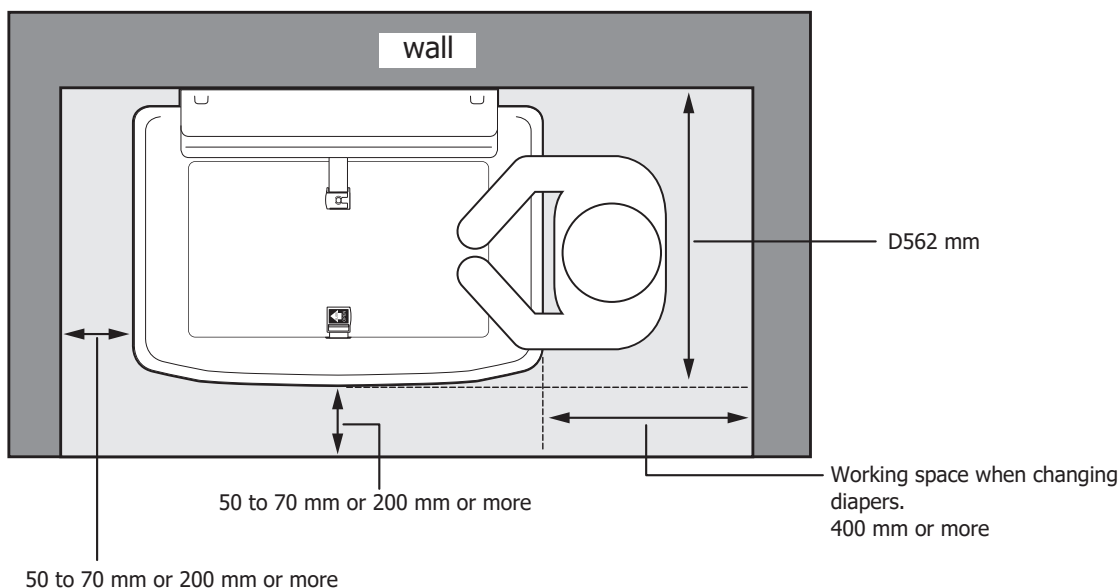
- Discontinue use immediately and contact your dealer.

## SAFETY NOTES

- For safety, make sure to read this **Installation Manual** carefully and install the product correctly.
- We recommend that a professional installer set up the baby's diapers changing table.
- We are NOT liable for any accidents and/or damage that may occur if the baby's diapers changing table is NOT set up correctly.
- Correctly fix the SMARTPLUG and anchor bolt securely to the concrete layer.
- The product is heavy. Carry out installation work with 2 or more people.

## INSTALLATION SPACE

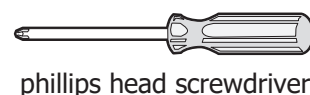
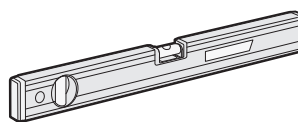
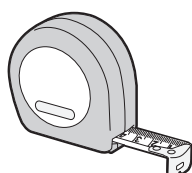
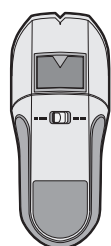
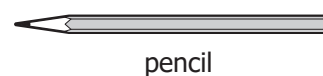
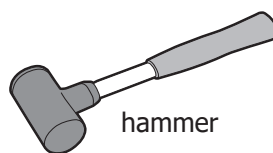
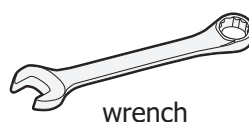
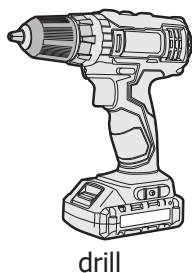
- Take into consideration the space required for using the product before installing.



## TABLE OF CONTENTS

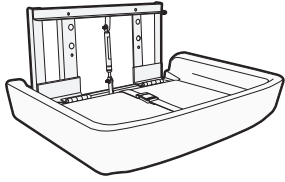
Packing list .....	P. 5
Baby's diapers changing table FA2-S / FA2-SUS .....	PP. 6-8
Baby's diapers changing table FA2-W .....	PP. 9-10

## TOOLS NEEDED



## PACKING LIST

Product have mounting hardware included.



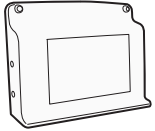
body



Instruction and Installation manuals (This book)



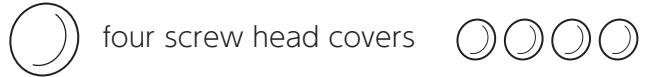
warning label



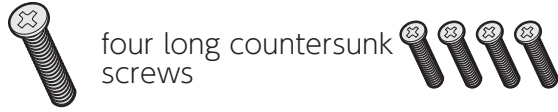
chassis cover



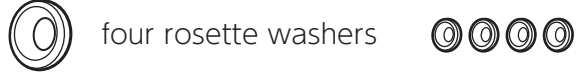
pictures, signs, and label



four screw head covers



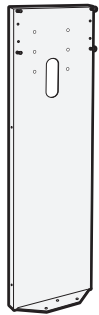
four long countersunk screws



four rosette washers



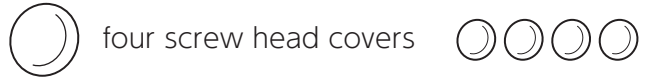
four hexagon nuts with flange



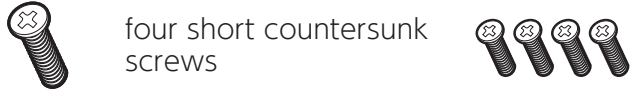
frame stand



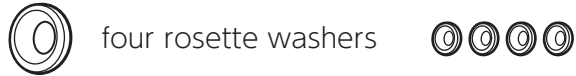
frame stand cover



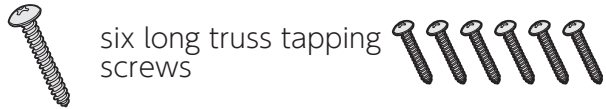
four screw head covers



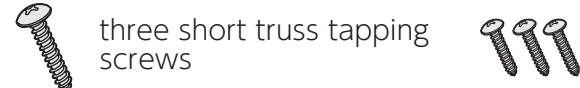
four short countersunk screws



four rosette washers



six long truss tapping screws



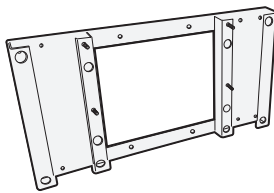
three short truss tapping screws



nine flat washers



nine SMARTPLUGS



wall shassis



eight anchor bolts

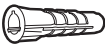



eight hexagon nuts with flange

### Step 0-Packing confirmation

- ✓ Remove products from the shipping container and check for any freight damage.
- ✓ Please check if you have all the hardware.

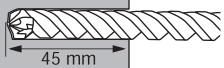
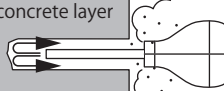
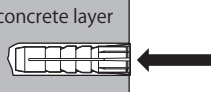
## Baby's diapers changing table FA2-S / FA2-SUS

**NOTE**   If the wall and floor foundations are wood or LGS, DO NOT use SMARTPLUG.

### Step 1-Set up the frame stand

- ① Make marks on the wall surface (6 places) and the floor (3 places) for inserting SMARTPLUG. (**concrete only**)
- ② Install SMARTPLUG into the marked area. (**concrete only**)
- ③ Place the frame stand against the wall surface, and then fix the wall (6 places) and the floor (3 places) with truss tapping screws.

#### Installing method for SMARTPLUG

 <p>concrete layer 45 mm</p>	<p>① Perforate hole with wall.</p> <ul style="list-style-type: none"> <li>• hole diameter : 8.0 mm <math>\phi</math></li> <li>• drilling depth : 45 mm</li> <li>• use 8.0 mm drill bit</li> </ul>
 <p>concrete layer</p>	<p>② Cleaning</p> <p>Remove concrete powder in hole with dust pump.</p>
 <p>concrete layer</p>	<p>③ Insert</p> <p>SMARTPLUG insert to hole.</p>

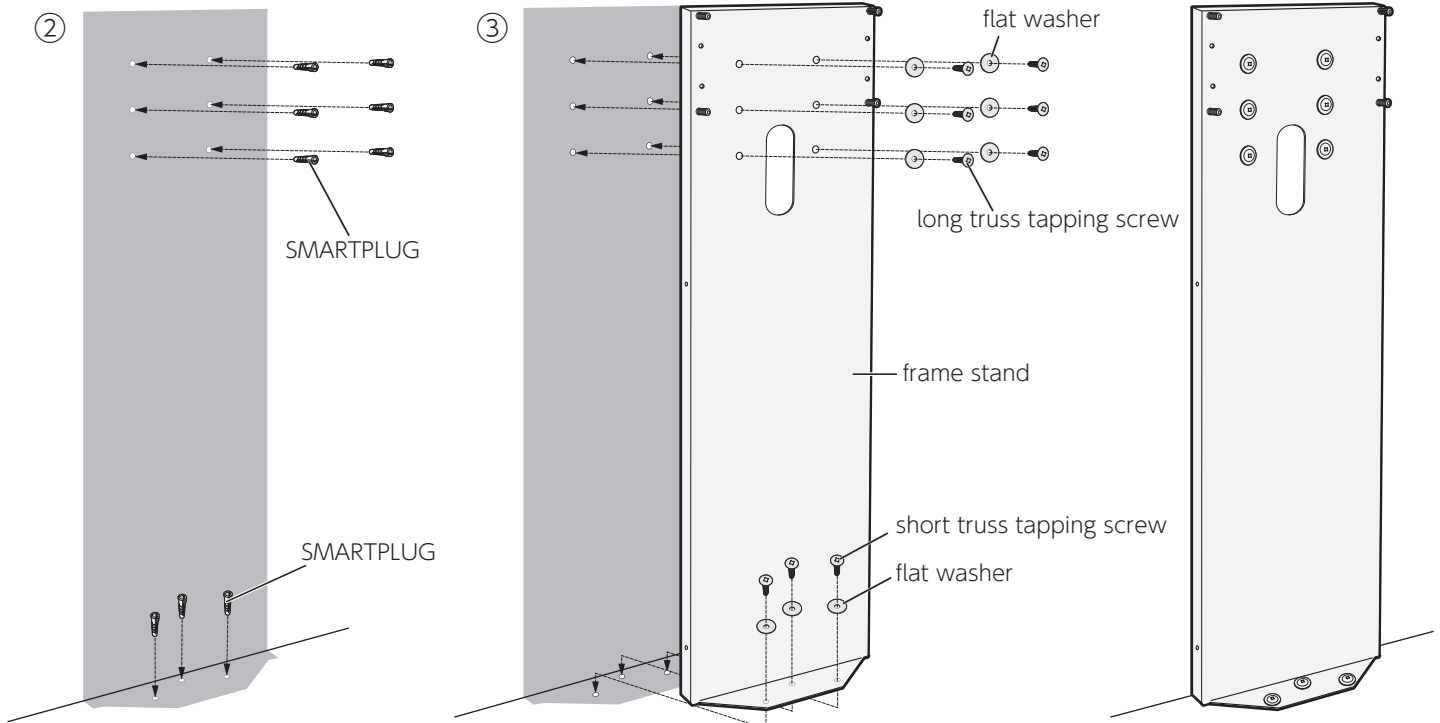
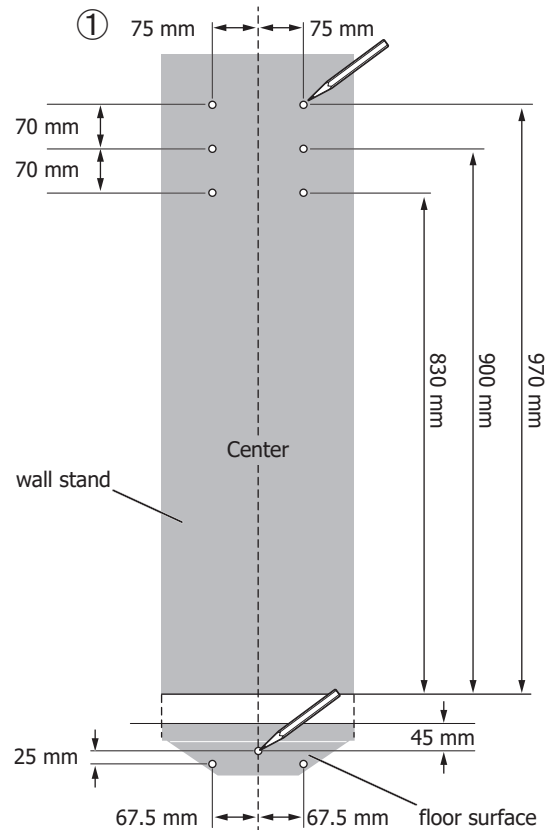
 five SMARTPLUGS **concrete only**

 six long truss tapping screws

 three short truss tapping screws

 nine flat washers

**NOTE:** Truss tapping screw there are two kinds.



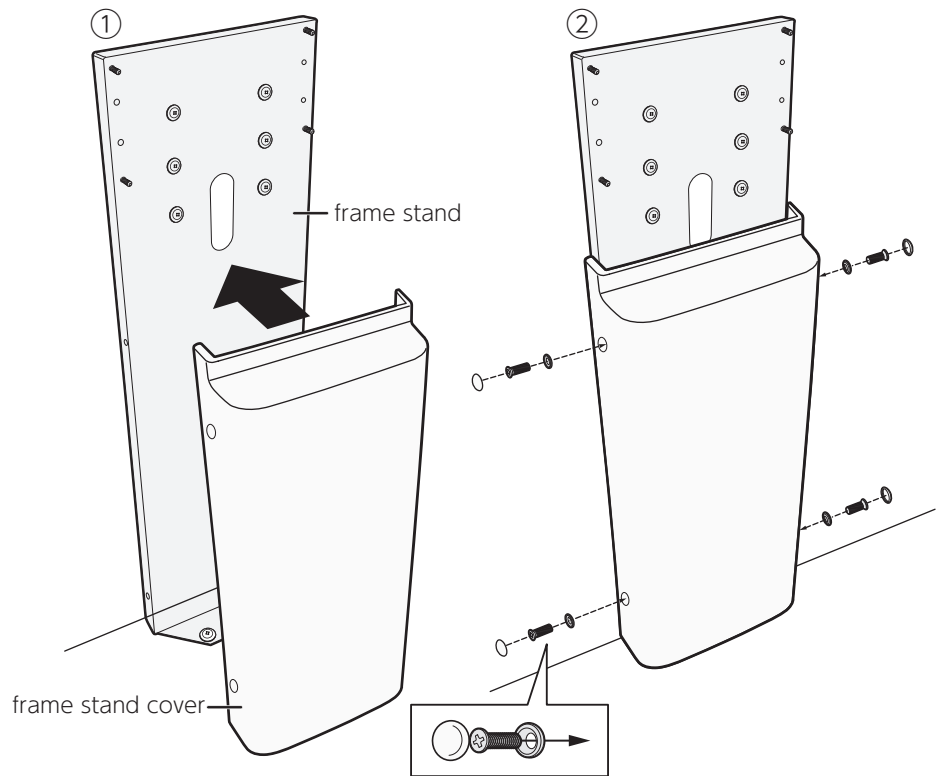
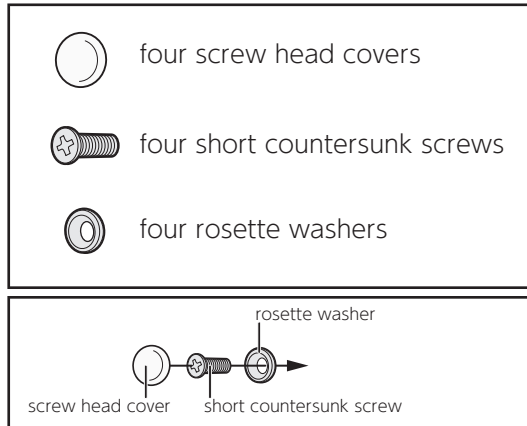
# Installation manual

## Baby's diapers changing table FA2-S / FA2-SUS

### Step 2-Mount the frame stand cover

① Put the frame stand cover on the frame stand.

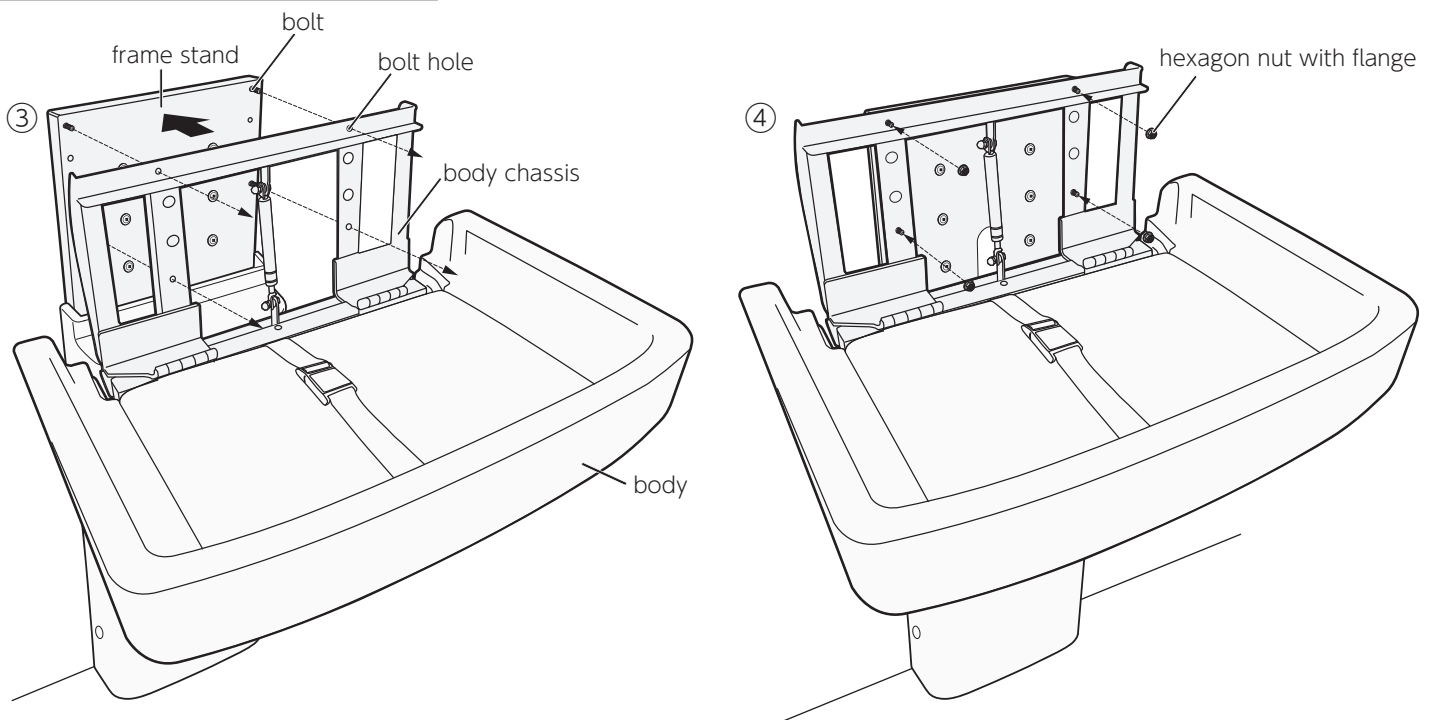
② Fix with short countersunk screws and rosette washers, and then cover on screw covers (4 places).



### Step 3-Mount the body

③ Pass the bolts of the frame stand through the bolt holes (4 places) of the body chassis.

④ Fix with hexagon nuts with flange.

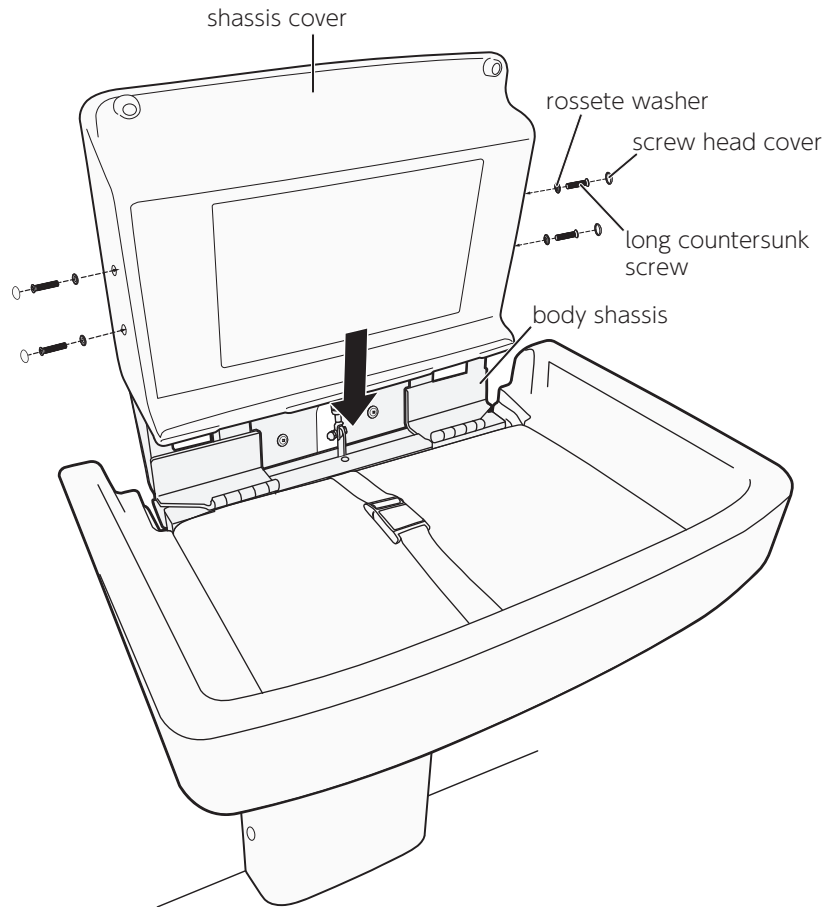
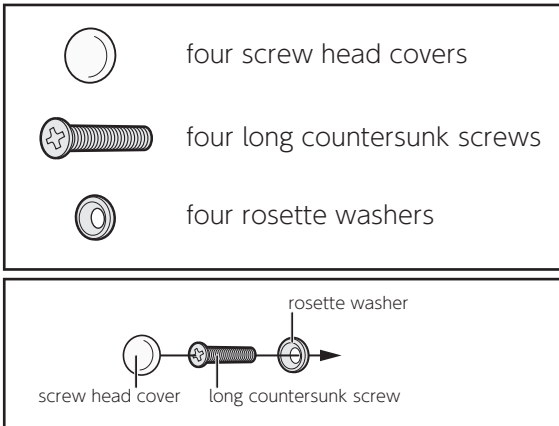




## Baby's diapers changing table FA2-S / FA2-SUS

### Step 4-Mount the shassis cover to the body shassis

- Put the chassis cover on the body chassis.
- Fix with long countersunk screws and rosette washers, and then cover on screw covers (4 places). **Figure 5**



**!** Make sure to check the product operates correctly after installing.

- ✓ Check for any strange noises or rattling.
- ✓ Check whether opening and closing can be done smoothly.

### Step 5-Installation complete

- ① Attach warning label near the product.
- ② Install the product, and then attach pictures, signs, and label to places that are easily visible such as the restroom or entrance of the facility.
- ③ Give this book to the manager of the facility.

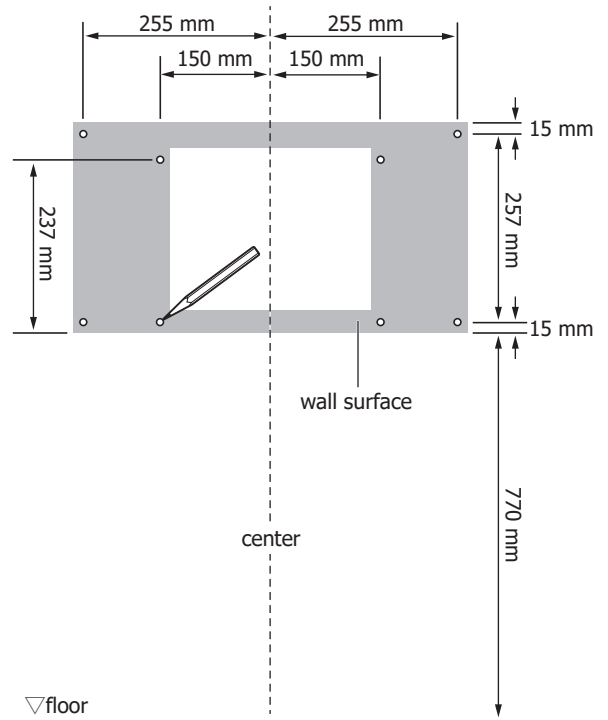
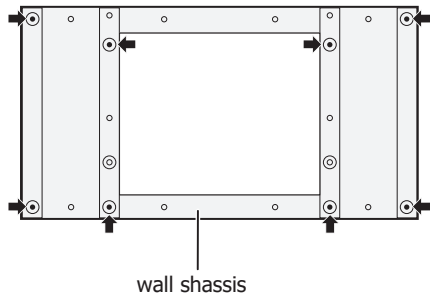


# Installation manual

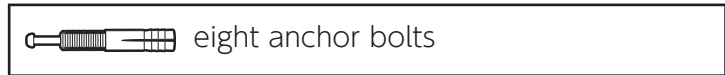
## Baby's diapers changing table FA2-W Wall foundations : RC

### Step 1-Set up the wall shassis

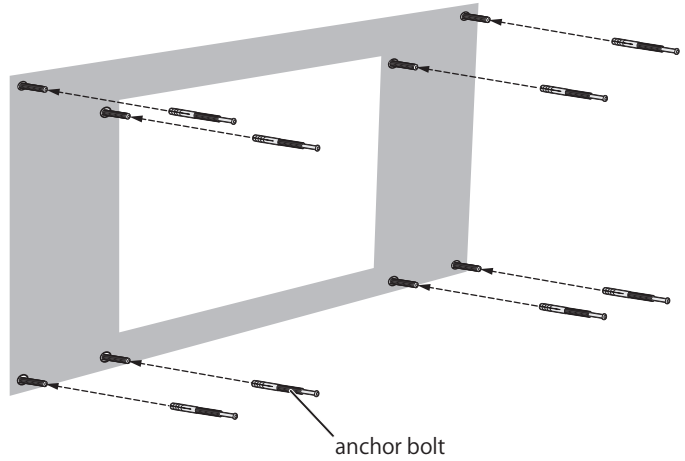
① Place the wall chassis against the wall surface and mark 8 places.



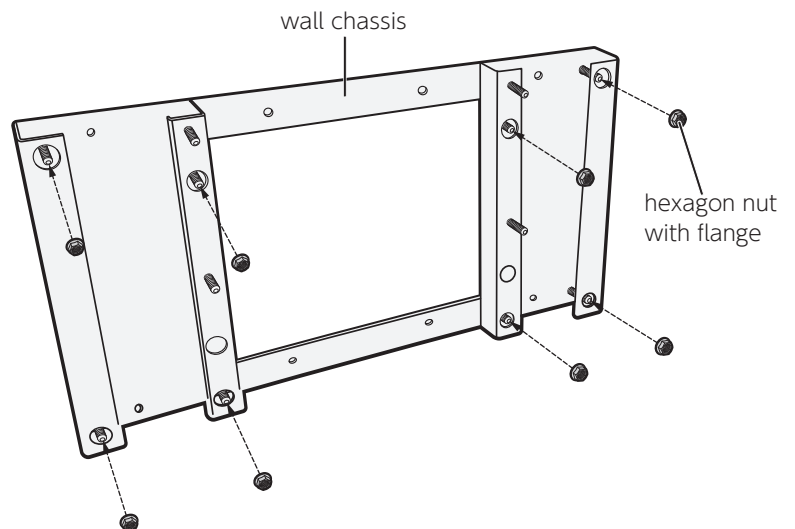
② Drive anchor bolts into the marked area.



Installing method for anchor bolt	
<p>concrete layer</p> <p>36 mm or more</p>	<p>① Perforate hole with wall.</p> <ul style="list-style-type: none"> <li>• hole diameter : 6.4mm <math>\phi</math></li> <li>• drolling depth : 36 mm or more</li> <li>• use 6.4 mm drill bit</li> </ul>
<p>concrete layer</p>	<p>② Remove concrete powder in hole with dust pump.</p>
<p>concrete layer</p> <p>anchor bolt</p>	<p>③ Anchor bolt Insert to hole.</p>
<p>concrete layer</p> <p>anchor pin</p> <p>hammer</p>	<p>④ Hit anchor pin with hammer.</p>

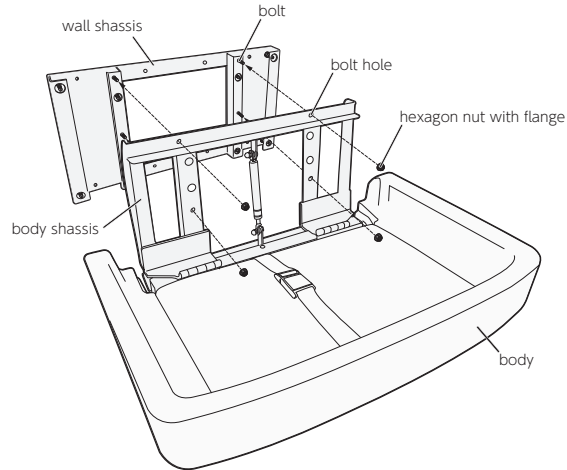


③ Fix with hexagon nuts with flange.



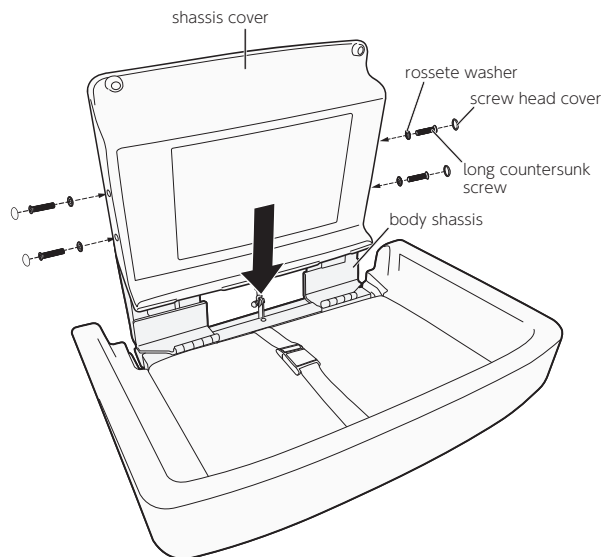
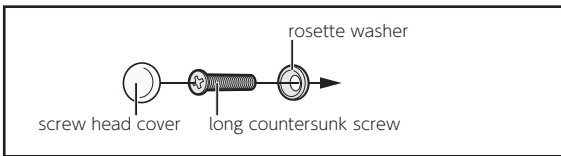
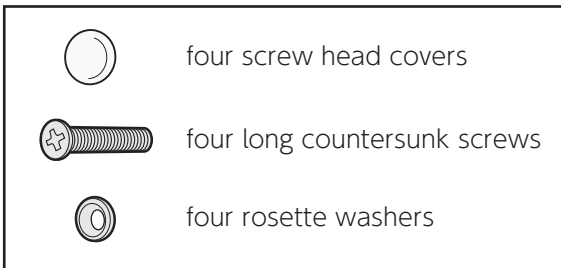
## Baby's diapers changing table FA2-W Wall foundations : RC

- ① Pass the bolts of the wall chassis through the bolt holes (4 places) of the body chassis.
- ② Fix with hexagon nuts with flange.



### Step 2-Mount the shassis cover to the body chassis

- ① Put the chassis cover on the body chassis.
- ② Fix with long countersunk screws and rosette washers, and then cover on screw covers (4 places).

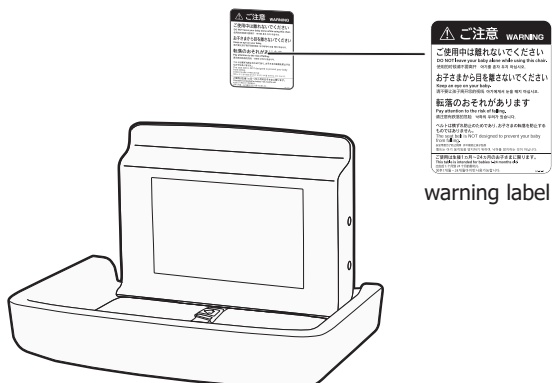


**!** Make sure to check the product operates correctly after installing.

- ✓ Check for any strange noises or rattling.
- ✓ Check whether opening and closing can be done smoothly.

### Step 3-Installation complete

- ① Attach warning label near the product.
- ② Install the product, and then attach pictures, signs, and label to places that are easily visible such as the restroom or entrance of the facility.
- ③ Give this book to the manager of the facility.



みんなの想いを



**Instruction and Installation manuals**

**Baby's diapers changing table**

**FA2**

**Sideways open type**